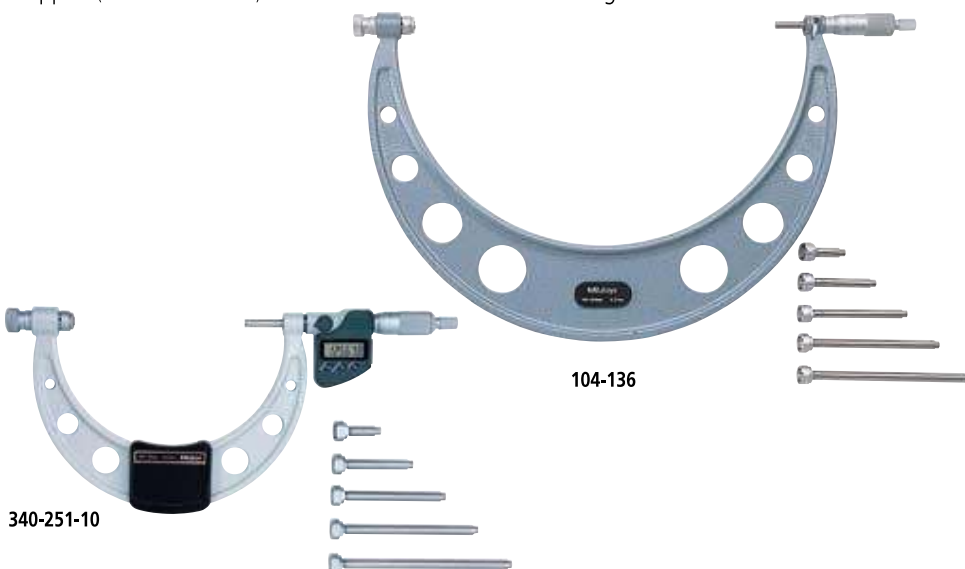


Micrometer

The origin of Mitutoyo's trustworthy brand of small tool instruments

Outside Micrometers SERIES 340, 104 — with Interchangeable Anvils

- Wide measuring range with interchangeable anvils.
- Measuring face of the spindle is carbide tipped (standard model).
- IP 65 water/dust protection (series 340).
* Models with a measuring range up to 300mm.
- Equipped with Ratchet Stop for constant measuring force.



These marks indicate that a product has successfully passed IP65-level testing, which is carried out by the independent German certification organization TÜV Rheinland.



IP Codes (series 340)

Level 6: Dust -proof.

No ingress of dust allowed.

Level 5: Protected against water jets.

Water projected in jets against the enclosure from any direction shall have no harmful effects.

Technical Data

Flatness:

0.6µm/ .000024" for models up to 300mm/ 12"

1.0µm/ .00004" for models over 300mm/ 12"

Parallelism:

2µm/ .00008" for models up to 75mm/ 3"

3µm/ .00012" for models up to 150mm/ 6"

(2+R/100)µm for models over 150mm,

R=max. range (mm)

Fraction rounded up

±[.00008" + .00004 (R/4)]" For models over 6"

R= max. range (inch)

Fraction rounded up

Accuracy:

±(4+R/75)µm, R = max. range (mm)

±[.00016" + .00004 (R/3)]" R = max. range (inch)

(excluding quantizing error for digital models)

Fraction rounded up

Excluding quantizing error

SPECIFICATIONS

Metric							
Order No.	Range	Resolution	Interchangeable anvils	Setting Standard		Micrometer head stroke	
				Qty	Size		
Digimatic (LCD)							
340-251-10	0 - 150mm	0.001mm	6pcs.	5	25-125mm	25mm	
340-252-10	150 - 300mm			6	150-275mm		
340-520	300 - 400mm			4pcs.	4		300-375mm
340-521	400 - 500mm						400-475mm
340-522	500 - 600mm						500-575mm
340-523	600 - 700mm						600-675mm
340-524	700 - 800mm		700-775mm				
340-525	800 - 900mm		800-875mm				
340-526	900 - 1000mm		900-975mm				

Metric						
Order No.	Range	Graduation	Interchangeable anvils	Setting Standard		Micrometer head stroke
				Qty	Size	
Analog						
104-171*	0 - 50mm	0.01mm	1pcs.	1	25mm	25mm
104-139A	0 - 100mm		4pcs.	3	25-75mm	
104-135A	0 - 150mm		6pcs.	5	25-125mm	
104-161A	50 - 150mm		4pcs.	4	50-125mm	
104-140A	100 - 200mm				100-175mm	
104-136A	150 - 300mm				150-275mm	
104-141A	200 - 300mm				200-275mm	
104-142A	300 - 400mm				300-375mm	
104-143A	400 - 500mm				400-475mm	
104-144A	500 - 600mm		4pcs.	4	500-575mm	
104-145A	600 - 700mm				600-675mm	
104-146A	700 - 800mm				700-775mm	
104-147A	800 - 900mm				800-875mm	
104-148A	900 - 1000mm				900-975mm	

* The frame is fitted with a heat shield.

Inch/Metric						
Order No.	Range	Resolution	Interchangeable anvils	Setting Standard		Micrometer head stroke
				Qty	Size	
Digimatic (LCD)						
340-351-10	0 - 6"	.00005"/ 0.001mm	6pcs.	5	1" - 5"	1"
340-352-10	6" - 12"	.0001"/ 0.001mm		6	6" - 11"	
340-720	12" - 18"				12" - 17"	
340-721	18" - 24"				18" - 23"	
340-722	24" - 30"				24" - 29"	
340-723	30" - 36"				30" - 35"	

Inch						
Order No.	Range	Interchangeable anvils	Graduation	Setting Standard		Micrometer head stroke
				Qty	Size	
Analog						
104-165	0 - 2"	1pcs.	.001"	1	1"	1"
104-149	0 - 4"	4pcs.		3	1" - 3"	
104-137	0 - 6"	6pcs.		5	1" - 5"	
104-162	2" - 6"	4pcs.		4	2" - 5"	
104-150	4" - 8"				4" - 7"	
104-138	6" - 12"	6pcs.		6	6" - 11"	
104-151	8" - 12"	4pcs.		4	8" - 11"	
104-152	12" - 16"				12" - 15"	
104-201	12" - 18"	6pcs.		6	12" - 17"	
104-153	16" - 20"	4pcs.		4	16" - 19"	
104-202	18" - 24"	6pcs.		6	18" - 23"	
104-154	20" - 24"	4pcs.		4	20" - 23"	
104-155	24" - 28"				24" - 27"	
104-203	24" - 30"	6pcs.		6	24" - 29"	
104-156	28" - 32"	4pcs.		4	28" - 31"	
104-204	30" - 36"	6pcs.		6	30" - 35"	
104-157	32" - 36"	4pcs.		4	32" - 35"	
104-158	36" - 40"				36" - 39"	
104-205	36" - 42"	6pcs.		6	36" - 41"	



Battery for series 340

SR44 (1 pc), **938882**, for initial operational checks (standard accessory)

Optional accessories

Connecting cables for

340-251-10 & **340-352-10**, **340-351-10** & **340-352-10**

1m: **05CZA662**

2m: **05CZA663**

USB Input Tool Direct

USB-ITN-B (2m): **06ADV380B**

SPC cables for U-WAVE w/ data switch (160mm):

02AZD790B

For foot switch: **02AZE140B**

Connecting cables for

340-520/1/2/3/4/5/6, **340-720/1/2/3** models

Recommended cables:

L-Type (does not interfere with operating the thimble.)

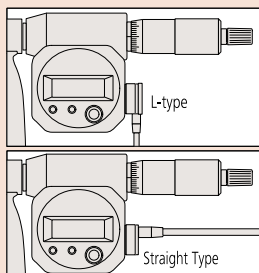
1m: **04AZB512**

2m: **05AZB513**

Straight type (may interfere with operating the thimble.)

1m: **959149**

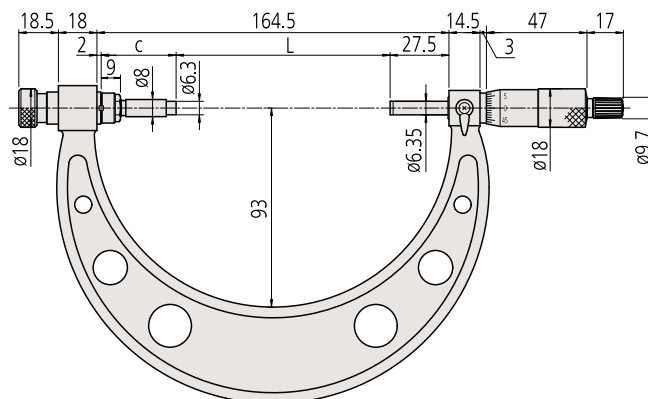
2m: **959150**



DIMENSIONS

104-135A

Unit: mm

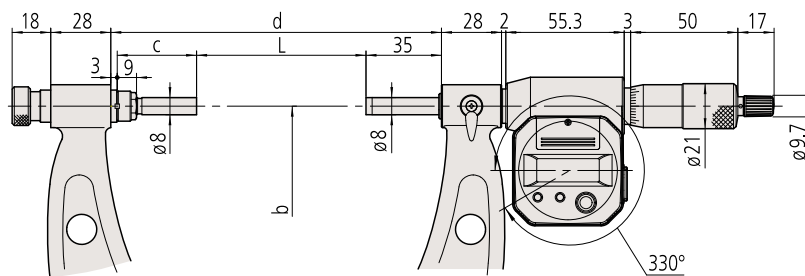


Interchangeable anvil

		L : Range (mm)					
Range	0 to 150mm models	0 - 25	25 - 50	50 - 75	75 - 100	100 - 125	125 - 150
Range	150 to 300mm models	150 - 175	175 - 200	200 - 225	225 - 250	250 - 275	275 - 300
	Order No.	303950	303951	303952	303953	303954	303955
	c: Overall length (mm)	135	110	85	60	35	10
	Interchangeable anvil	M1	M2	M3	M4	M5	M6

		L : Range (mm)			
Range	300 to 400mm models	300 - 325	325 - 350	350 - 375	375 - 400
Range	400 to 500mm models	400 - 425	425 - 450	450 - 475	475 - 500
Range	500 to 600mm models	500 - 525	525 - 550	550 - 575	575 - 600
Range	600 to 700mm models	600 - 625	625 - 650	650 - 675	675 - 700
Range	700 to 800mm models	700 - 725	725 - 750	750 - 775	775 - 800
Range	800 to 900mm models	800 - 825	825 - 850	850 - 875	875 - 900
Range	900 to 1000mm models	900 - 925	925 - 950	950 - 975	975 - 1000
	Order No.	304001	304002	304003	304004
	c: Overall length (mm)	87	62	37	12
	Interchangeable anvil	M3	M4	M5	M6

Over 400mm up to 1000mm



		L : Range (mm)				b	d
Range	300 to 400mm models	300 - 325	325 - 350	350 - 375	375 - 400	224	425
Range	400 to 500mm models	400 - 425	425 - 450	450 - 475	475 - 500	273	525
Range	500 to 600mm models	500 - 525	525 - 550	550 - 575	575 - 600	332	625
Range	600 to 700mm models	600 - 625	625 - 650	650 - 675	675 - 700	382	725
Range	700 to 800mm models	700 - 725	725 - 750	750 - 775	775 - 800	430	825
Range	800 to 900mm models	800 - 825	825 - 850	850 - 875	875 - 900	480	925
Range	900 to 1000mm models	900 - 925	925 - 950	950 - 975	975 - 1000	530	1025
	Order No.	304001	304002	304003	304004		
	c: Overall (mm)	87	62	37	12		
	Interchangeable anvil	M3	M4	M5	M6		